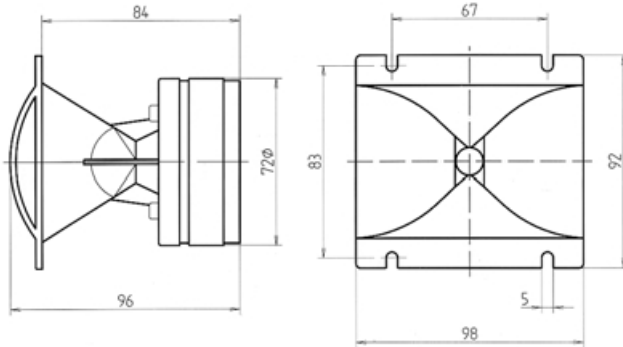


**-Pro-**

# CP09 HIGH FREQUENCY COMPRESSION DRIVER

This compression tweeter is a professional lightweight, featuring an aluminium voice coil-diaphragm assembly and constant directivity horn. The voice coil is wound from flat aluminium wire, bonded to an aluminium diaphragm for extended response and excellent transient attack. This device has a wide controlled dispersion in the horizontal and vertical axes (90° x 60°), and a smooth response in all its frequency ranges with an incredibly high sound pressure. The diaphragm assembly is field replaceable without soldering.

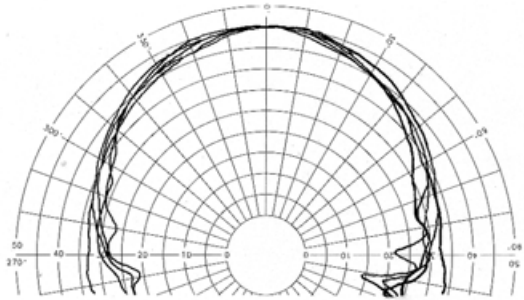
Este tweeter de compresión, dotado de un diafragma y un bobinado de aluminio y cargado por una bocina de directividad constante, proporciona una cobertura angular muy amplia y una respuesta transitoria excelente con una sensibilidad elevada y una potencia admisible importante a pesar de su pequeño tamaño.



## SPECIFICATIONS

|                          |                        |
|--------------------------|------------------------|
| Rated impedance          | 8 ohms.                |
| Minimum impedance        | 7.5 ohms @ 8 kHz       |
| D.C. Resistance          | 5 ohm                  |
| Power capacity*          | 15 w RMS               |
| Program Power            | 30 Watts.              |
| Sensitivity**            | 104 dB 1w @ 1m.        |
| Frequency range          | 2 - 20 kHz             |
| Recommended crossover    | 6 kHz, 12 dB/oct. min. |
| Dispersion H x V         | 90° x 60° conical      |
| Voice coil diameter      | 25.8 mm. 1 in.         |
| Magnetic assembly weight | 0.7 kg. 1.54 lb.       |
| Flux density             | 1.4 T                  |
| BL Factor                | 4 N/A                  |

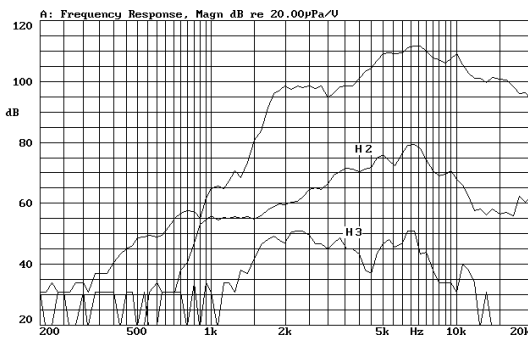
## HORIZONTAL POLAR PATTERN



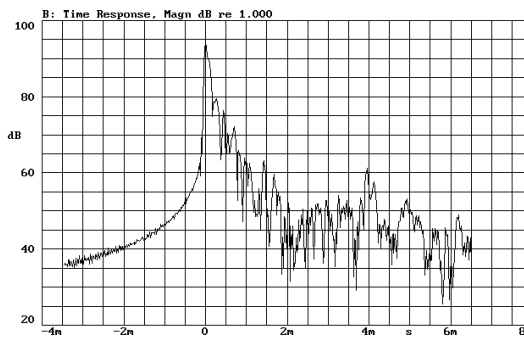
## MOUNTING INFORMATION

|                          |                            |
|--------------------------|----------------------------|
| Overall dimensions       | 98 x 92 mm. 3.85 x 3.6 in. |
| Depth                    | 96 mm. 3.78 in.            |
| Baffle cutout dimensions | 90x70 mm. 3.54x2.75 in.    |
| Net weight               | 0.75 kg. 1.65 lb.          |
| Shipping weight          | 0.85 kg. 1.87 lb.          |

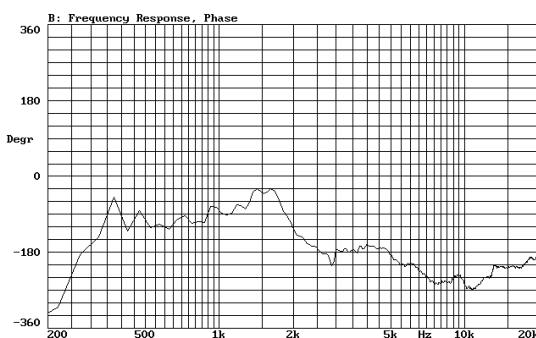
## FREQUENCY RESPONSE & DISTORTION CURVES, MAGN. On axis, 1w @ 1m.



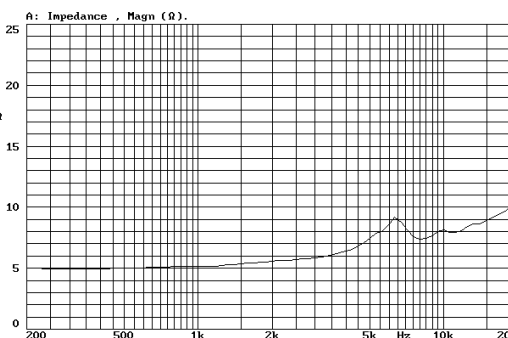
## TIME RESPONSE, MAGN.



## FREQUENCY RESPONSE PHASE. On axis, 1w @ 1m.



## FREE AIR IMPEDANCE CURVE



## MATERIALS

|                   |                        |
|-------------------|------------------------|
| Diaphragm         | Aluminium              |
| Voice coil        | Edgewound alum. ribbon |
| Voice coil former | Nomex                  |
| Magnet            | Ferrite                |

## NOTES

\*The power capacity corresponds to the RMS maximum value that can dissipate the loudspeaker when a sinus signal is applied for a period of at least two hours.  
Program power is defined as the transducer's ability to handle normal music program material.  
\*\*Sensitivity was measured at 1m distance, on axis, with 1w input, averaged in the range 3-15 kHz.

## NOTAS

\* La potencia admisible corresponde a la máxima potencia RMS que puede disipar el altavoz durante al menos dos horas, cuando se le aplica una señal determinada. Por potencia programa se entiende la capacidad de altavoz en el manejo de señales transitorias como sería el proporcionado por el contenido de un pasaje musical normal.  
\*\*Medición realizada con el micrófono a 1 m de distancia, en el eje, aplicando 1w al altavoz, promediando en el rango 1-7 kHz.