

TC 90 TD5

Titanium inverted dome tweeter



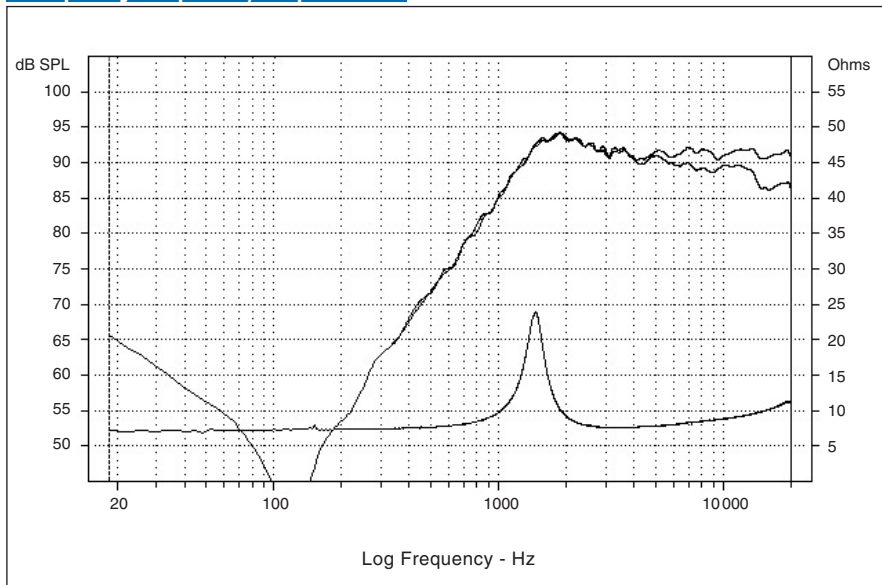
- High pressure injection molded 5mm thick face plate
- Super high young modulus Tioxid 5 coating on titanium dome, coated surround
- 20mm diameter voice coil, aluminium former, ferrofluid cooled
- Efficiency: 91.5dB
- Double magnet, tuned chamber, acoustical impedance control device (a.k.a : phase plug)



Specifications

Nominal power	12 W	
Maximum power	75 W	
Sensitivity		
Cone	titane	
Surround		
Nom. impedance	6 ohms	
DC resistance	5.5 ohms	
VC diameter	20 mm	3.10 in
VC height	2 mm	0.08 in
Former	aluminium	
Layers	1	
Wire	copper	
Inductance	0.68 mH	
Xmax		
Magnet d x h	2x(60x14mm)	2x(2,36x0,55 in)
Magnet weight	2 x 162 g	
Flux density	1.45 T	
Gap height		
Net weight	0.65 kg	1.43 lb

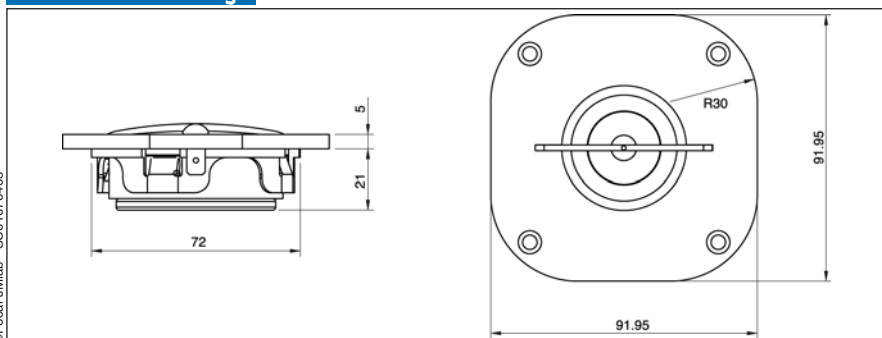
Frequency Response / Impedance



Parameters

Fs	1471.1 Hz
Vas	
Qts	1.17
Qes	1.56
Qms	4.68
Re	5.5 ohms
Sd	0.1 Cm ²
Cas	
Mas	
Ras	
Cms	
Mms	
Rms	
Ces	
Les	
Res	
BI	
SPL	

Mechanical Drawing



Suggested application

Load	V (l)	Fb (Hz)	F-3 (Hz)	Ql

Focal® is a trademark of Focal-JMLab®